

COMPACT UFH CONTROL UNIT

ambiente®

more than underfloor

PRODUCT OVERVIEW

Ambiente Compact UFH Control Unit is a perfect solution for single zone areas that require underfloor heating. The pre-assembled unit has a Grundfos circulating pump, thermostatic mixing valve and isolating ball valves and will control up to 40m² of underfloor heating. It can be controlled directly by a room thermostat. It is popular for conservatories and extensions because it saves on the cost of separate manifold/pumpset. It can be easily plumbed into existing heating systems via the 15mm copper connections.

Operating principle

When the primary heating circuit is on, the heating water temperature is 43°C and the room thermostat is calling for heat, the pump will switch on and feed the under floor heating loops. The blending valve will maintain the temperature of the heating loop by continually blending the flow from the boiler with the cooler return flow from the loop.

Heat output can be adjusted with the control knob on the blending valve as required. When the desired room temperature has been reached, the room thermostat will switch the pump off.

Settings

The thermostatic blending valve has a temperature setting range between 35°C and 60°C as shown below:

Min 35°C	1	40°C	2	44°C	3	48°C
4	50°C	5	54°C	6	58°C	Max 60°C

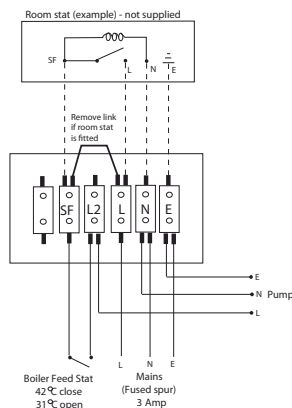
Fixing

The unit is designed for wall fixing and ideally should be mounted in a horizontal position with the electrical connection box uppermost but it can also be mounted vertical to pump up or down if desired. Always vent air to protect pump from cavitation.

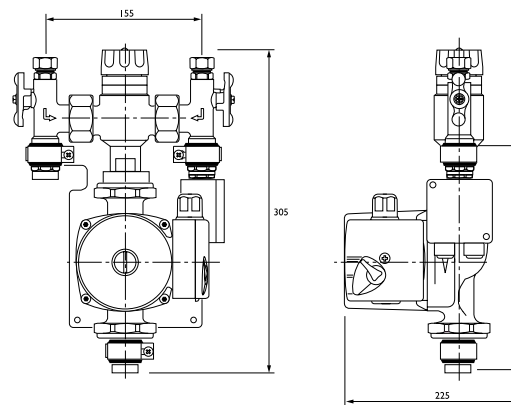
The unit must not be floor mounted or in any position that inclines the pump shaft vertical. Refer to the pump installation leaflet for more information.

Ensure adequate clearance and accessibility for pipe work and any subsequent maintenance, particularly important if enclosed within a cupboard space. Always protect any electrical equipment and cables during handling.

Wiring diagram



Unit Dimensions



Technical Data

Product Range

UFHC 980 020

Single Room UFH Control Pack

Materials

Valve body	Gunmetal
Seals	PTFE
O-rings	Silicone rubber
Spring	Stainless steel

Specifications

Maximum static pressure	10 bar
Maximum temperature	90°C
Adjustable control range	35°C - 65°C
Factory pre-set	5°C (minimum)
Connection sizes	5mm compression (inlet) 1/2" FBSP (outlets and return)

10004A|0415-052