

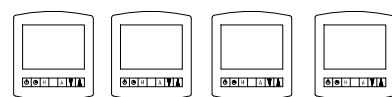
NOTES
 THIS DRAWING IS CONFIDENTIAL AND THE COPYRIGHT PROPERTY OF AMBIENTE SYSTEMS UK. IT IS NOT TO BE DISCLOSED, LOANED OR COPIED WITHOUT WRITTEN PERMISSION.
 ALL DRAWINGS ARE BASED UPON THE INFORMATION SUPPLIED SO THE CLIENT SHOULD SATISFY THEMSELVES THAT THE DESIGN MEETS ALL THE REQUIREMENTS.

UNDERFLOOR HEATING CONTROLS
 WE RECOMMEND THE MOUNTING OF THE WIRING CENTRE WHERE IT CAN BE EASILY ACCESSED FOR MAINTENANCE AND NEAR THE MANIFOLD, BUT NOT IMPEDING ACCESS TO THE MANIFOLD AND COMPONENTS. WE RECOMMEND THERMOSTATS ARE MOUNTED ON INTERNAL WALLS AT A HEIGHT OF 1.5 METERS. THEY SHOULD BE MOUNTED OUT OF AREAS OF STRONG SUNLIGHT AND AWAY FROM SOURCES OF HEAT OR DRAUGHT.

TYPICALLY SUPPLIED BY AMBIENTE UFH

TYPICALLY INSTALLED BY ELECTRICIAN

Underfloor heating thermostats

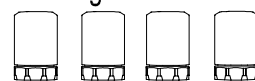


Underfloor heating wiring centre (Dimensions)
 UH8 & 4 (HxWxD) 148x 384 x 60mm
 UH1 (HxWxD) 220 x 290 x 70mm

Fused Spur
 230V Supply



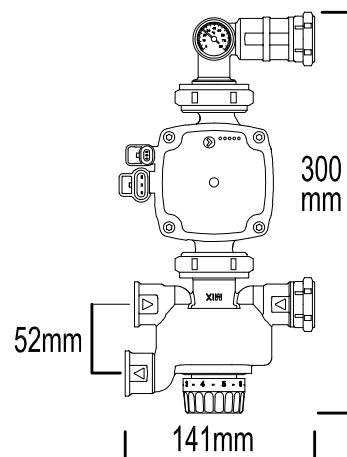
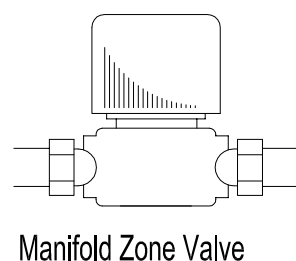
Underfloor heating thermoelectric actuators



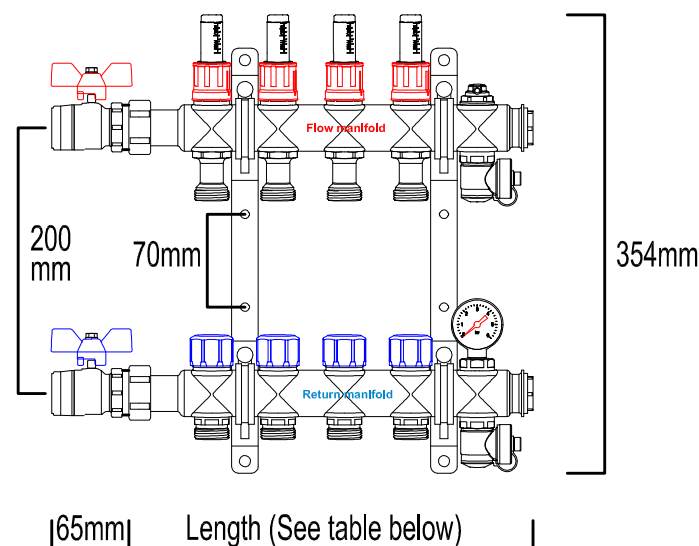
Electrical Requirements
 Supply switched fused supply to the wiring centre
 First fix cabling for each component and installation of controls and actuators.
 See system specific wiring diagram for wiring specification.

Plumbing Requirements
 Route pipework from blender valve to the boiler.
 Connect pump and blender valve to manifold.
 Fit 2 port zone valve to flow pipework (Recommended).
 Fill up system and flush/bleed air out of the system.

TYPICALLY INSTALLED BY PLUMBING CONTRACTOR



UFH Manifold



Underfloor heating manifold dimensions
 Manifold Depth - 75mm
 Pump Set Depth - 122mm

No of Ports	1	2	3	4	5	6	7	8	9	10	11	12	13	14
Length (mm)	143mm	193mm	243mm	293mm	343mm	393mm	443mm	493mm	543mm	593mm	643mm	693mm	743mm	793mm



more than underfloor

AMBIENTE SYSTEMS UK
 HERITAGE HOUSE, 1 WOODSIDE LANE
 BELL BAR, HERTS, AL9 6DE
 TELEPHONE 08450 70 38 95 FAX 08450 70 38 96
 EMAIL info@ambienteufh.co.uk WEBSITE www.ambienteufh.co.uk

Project
 Ambiente Systems UK Trades Layout

TITLE
 Trades Layout

SCALE	DATE	DRAWN	CHECKED
N/A	June 2016	RH	RT