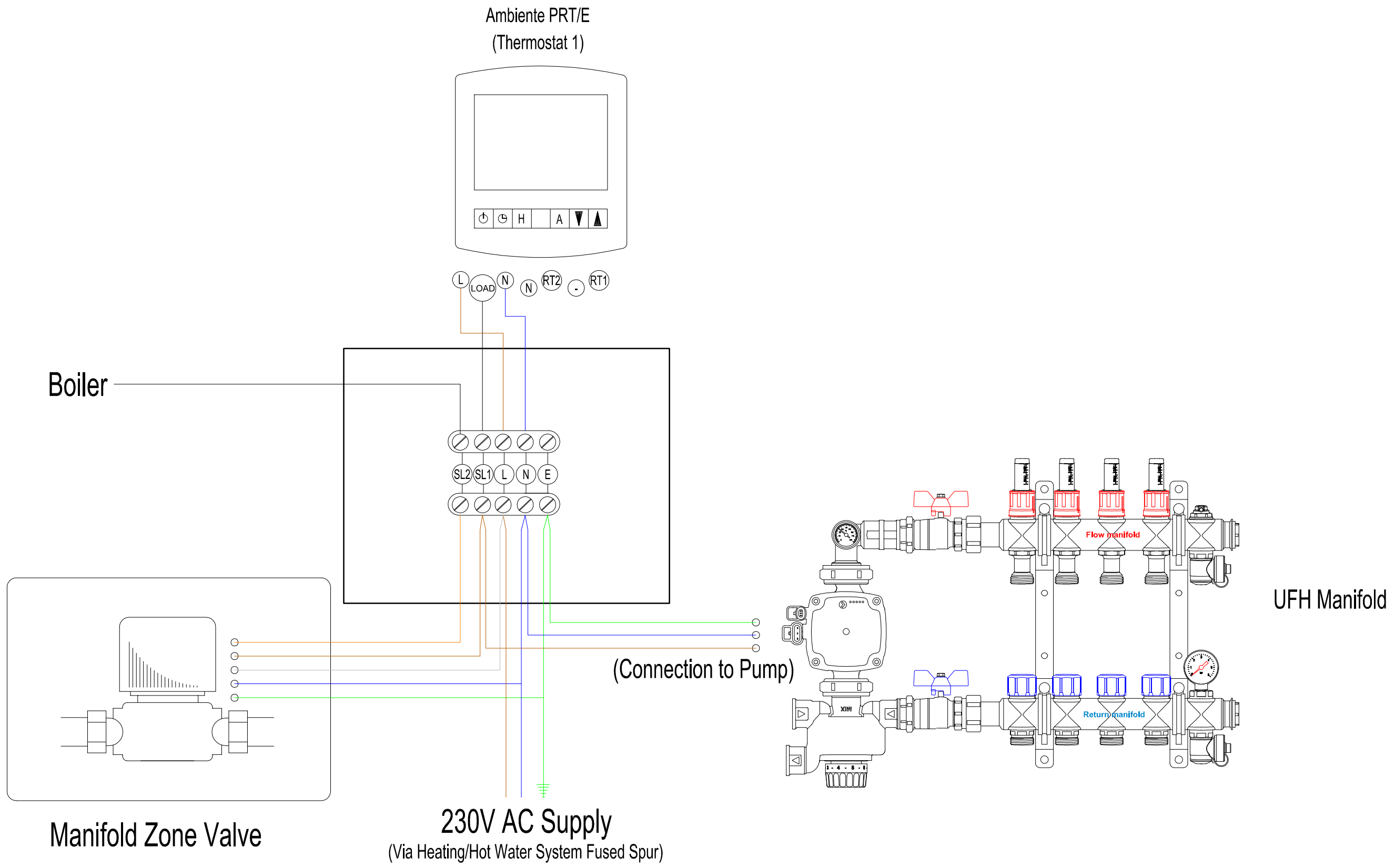


NOTES
 THIS DRAWING IS CONFIDENTIAL AND THE COPYRIGHT PROPERTY OF AMBIENTE SYSTEMS UK. IT IS NOT TO BE DISCLOSED, LOANED OR COPIED WITHOUT WRITTEN PERMISSION.
 ALL DRAWINGS ARE BASED UPON THE INFORMATION SUPPLIED SO THE CLIENT SHOULD SATISFY THEMSELVES THAT THE DESIGN MEETS ALL THE REQUIREMENTS.

UNDERFLOOR HEATING CONTROLS
 WE RECOMMEND THE MOUNTING OF THE WIRING CENTRE WHERE IT CAN BE EASILY ACCESSED FOR MAINTENANCE AND NEAR THE MANIFOLD, BUT NOT IMPEDING ACCESS TO THE MANIFOLD AND COMPONENTS. WE RECOMMEND THERMOSTATS ARE MOUNTED ON INTERNAL WALLS AT A HEIGHT OF 1.5 METERS. THEY SHOULD BE MOUNTED OUT OF AREAS OF STRONG SUNLIGHT AND AWAY FROM SOURCES OF HEAT OR DRAUGHT.

WIRING REQUIREMENTS

- From Fused Spur to Junction Box: 2 cores +E - 2.5mm cable
- From Junction Box to Thermostat (PRT): 3 cores +E - 1.0mm cable
- From Junction Box to Manifold Pump: 3 core - 1.5mm flex (Pump comes with 1m flying lead)
- From Junction Box to Boiler: 2 core - 1.5mm cable
- From Junction Box to Manifold Zone Valve: 5 core - 1.0mm flex



ambiente
 more than underfloor
 AMBIENTE SYSTEMS UK
 HERITAGE HOUSE, 1 WOODSIDE LANE
 BELL BAR, HERTS, AL9 6DE
 TELEPHONE 08450 70 38 95 FAX 08450 70 38 96
 EMAIL Info@ambienteufh.co.uk WEBSITE www.ambienteufh.co.uk

Project
 Standard Ambiente Wiring Diagram

TITLE
 Single zone manifold Wiring Diagram with PRT thermostat

SCALE	DATE	DRAWN	CHECKED
N/A	May 2016	RH	RT