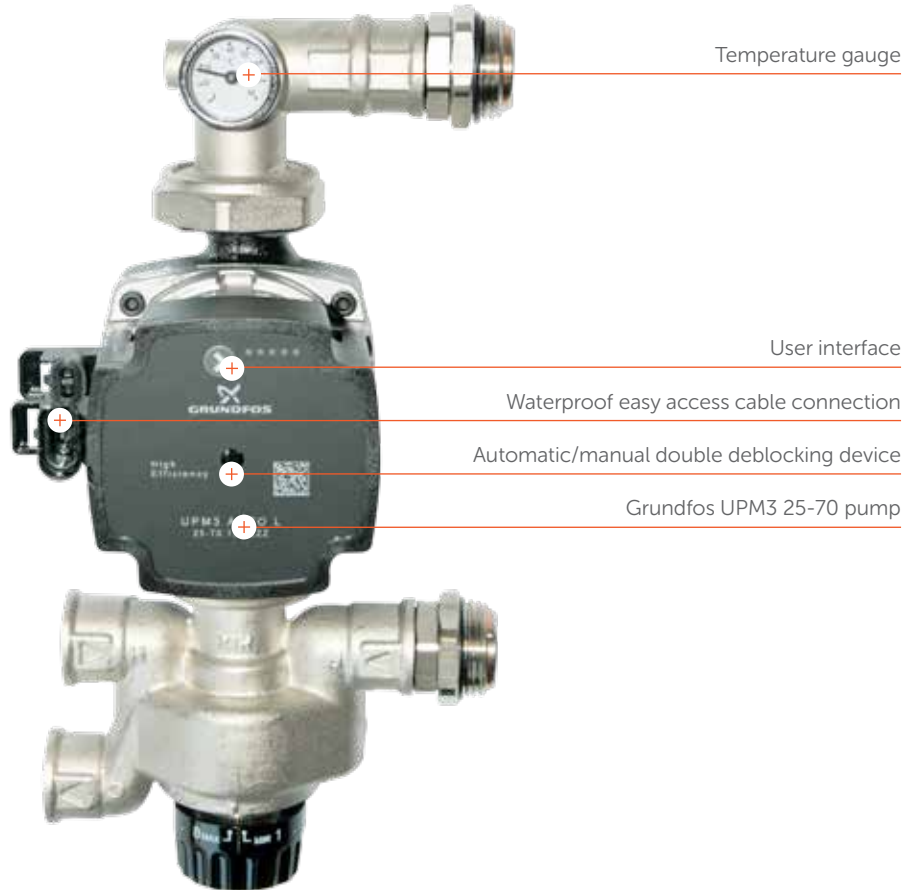


CIRCOMAX

HIGH EFFICIENCY MANIFOLD PUMPSET

ambiente®

more than underfloor



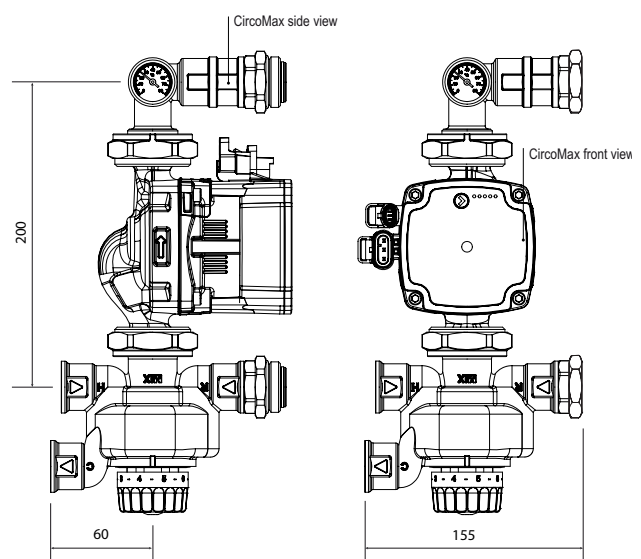
PRODUCT OVERVIEW

The Ambiente CircoMax is one of the most advanced pump/blender units on the market. Subject to advanced design and stringent testing, this unit is unique to Ambiente and boasts the following features:

- Latest Grundfos UPM3 25-70 pump (7m pumping head)
- Slim overall profile means it fits comfortably into manifold cabinets
- Double-deblocking device with automatic and manual options
- Temperature gauge on flow bar
- Optional high-level protection unit
- New blender valve, blends down to 25 degrees for ease of commissioning
- Can be used at the right hand or left hand of the manifold



Dimensions



10004A|0415-066