

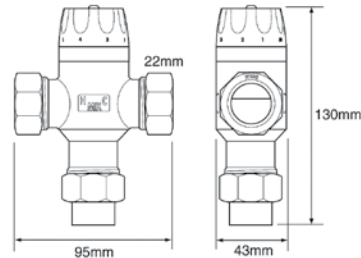
28MM BLENDING VALVE

ambiente®

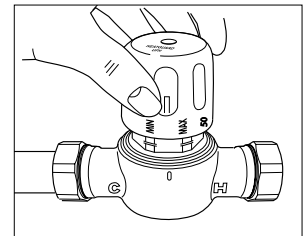
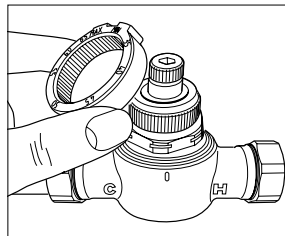
more than underfloor



Dimensions



Temperature Adjustment



PRODUCT OVERVIEW

Thermostatic blending valve available with 28mm connections. Wax capsule technology ensures mixed water temperature. Suitable for blending the flow and the return to achieve a stable system temperature in underfloor heating systems up to 250m².

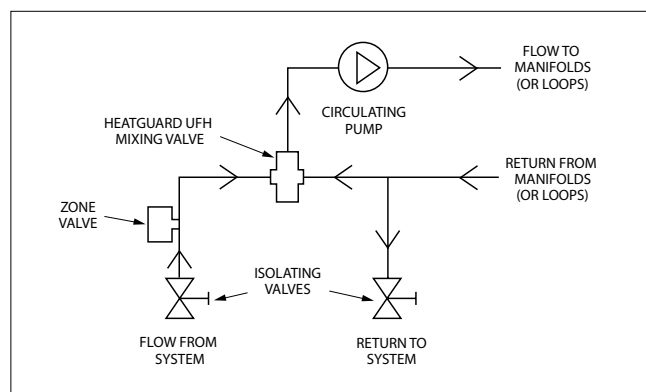
Specifications

Temperature setting range	35°C - 60°C
Flow supply temperature	85°C max
Return supply temperature	5°C - 75°C
Temperature stability	± 2°C
Working pressure - static	10 bar max
Working pressure - dynamic	6 bar max
	0.2 bar min
Floor area	250m ²

Highflow thermostatic blending valve for underfloor heating applications.

- High flow rates - suitable for systems up to 150m²
- Superb temperature control
- Quick reaction to supply temperature changes
- User adjustable between 35°C to 65°C
- Compression type connections for ease of installation
- Lockable temperature adjustment mechanism

Typical Installation



10004A|0415-009